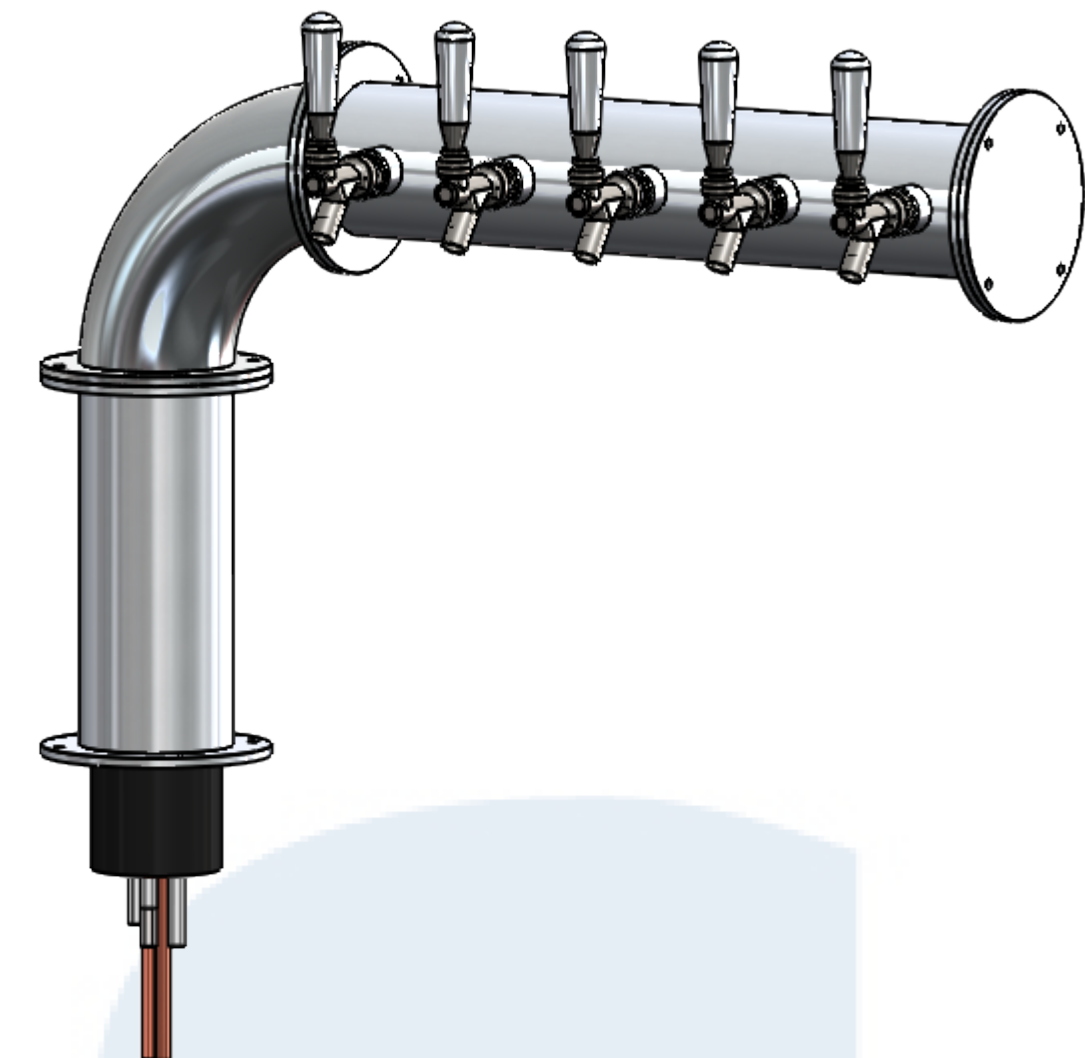
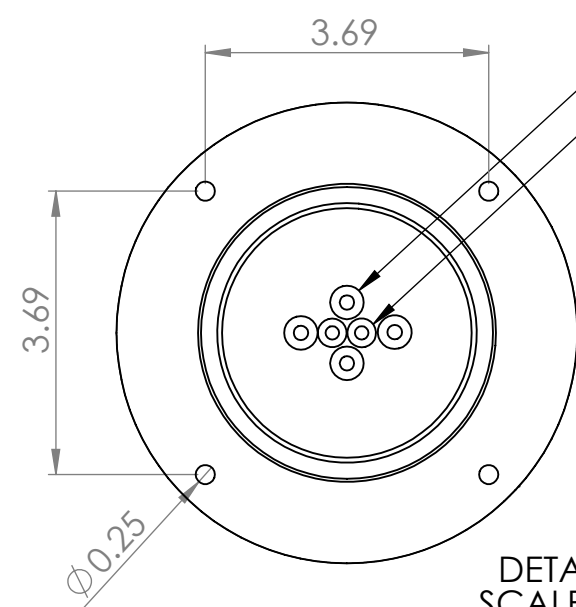
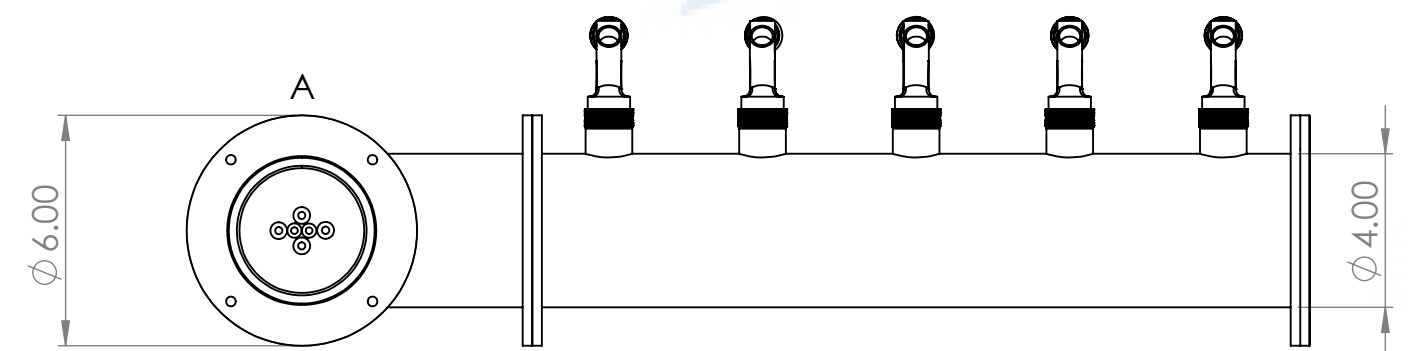


304SS tube connected to CBS NSF Flexible Total Barrier Tubing to 15lbs of Restriction



Isometric View
(For reference purpose only)



5 beer lines: 3/16" ID x 7/16" OD
2 recirculation lines: 3/8" OD ACR copper

DETAIL A
SCALE 2 : 5



Suggested Drip Tray:
BB701320 - 20" x 7" BSS Drip Tray
BB702420 - 20" x 7" BSS Spray Drip Tray

Name		Date		Title	
Drawn by:	Canadian Beverage Supply Inc.	08/05/2020		4" 5 Tap LINX L7 Tower	
Approved by:	VP Sales				
Material:	304 SS	Finish:	Polished SS	Part Number:	BB102615-05SSCK
Unless otherwise mentioned, dimensions are inches				Revision:	
SCALE: 1:5				SHEET 1 OF 1	